



RapidRun® Plenum-Rated Multi-Format Runner Cable

- Colour Code: Orange (for use with Multi-Format runners)
- Supports transmission of RGBHV signals (Does not support data-bit transmission), 3.5mm stereo audio, and RCA composite audio/video
- Three 28AWG coaxial cables with braided copper shielding, three 24AWG individually shielded twisted pair, and a single 24AWG pair
- Lifetime Warranty

*The specifications apply only to the raw cable used to construct the cable assemblies



Specifications: RapidRun® Plenum-Rated Multi-Format Runner Cable

Electrical Characteristics:

3 Coax Conductors:

Impedance:	75 ± 5Ohm
Capacitance:	53 ± 2pF/ ft nom
Velocity of Propagation:	80%
DC Resistance:	0.221Ω/m at 20°C
Dielectric Strength:	750VAC/1 minute min.
Insulation Resistance:	100MΩ/KM at 20°C
Attenuation (dB/6m):	
	dB/100ft
	1.0MHz 0.6
	3.6MHz 1.2
	5.0MHz 1.4
	7.0MHz 1.7
	9.0MHz 2.0
	10.0MHz 2.1
	30.0MHz 3.8
	50.0MHz 5.1
	100.0MHz 7.6

3 Twisted Pair Conductors

DC Resistance:	93.25Ω/m at 20°C
Dielectric Strength:	750VAC/minute min.
Insulation Resistance:	100Mohm/KM at 20°C

Physical Characteristics:

Voltage Rating:	30V	Approvals:	RoHS Compliant
Temperature Rating:	80°C	Warranty:	Lifetime
Temperature Range:	-25° ~ 80°C	Package Type:	Polybag
Minimum Bend Radius	90mm		

Conductor (Qty. 3):

Conductor Type:	28AWG 7/36 Tinned Copper
Dielectric:	Avg. Thickness: 0.13mm Cellular FEP
Shield:	Braid 94% Coverage Tinned Copper
Insulation:	Avg. Thickness: 0.20mm Low Smoke PVC: 1) red, (1) blue, (1) green

Overall Cable:

Shield:	Aluminium Mylar Wrap – 100% Braided Shield 24/8/0.12 85% Coverage Tinned Copper
Jacket:	Min Avg. Thickness – 0.76mm Matte PVC Orange Heat Shrink

Conductor (Qty. 3 twisted pair):

Conductor Type:	26AWG 7/34 Tinned Copper
Foil Shield:	Aluminium 100% coverage
Insulation:	Avg. Thickness:0.13 mm FEP

Conductor (Qty. 2 conductors):

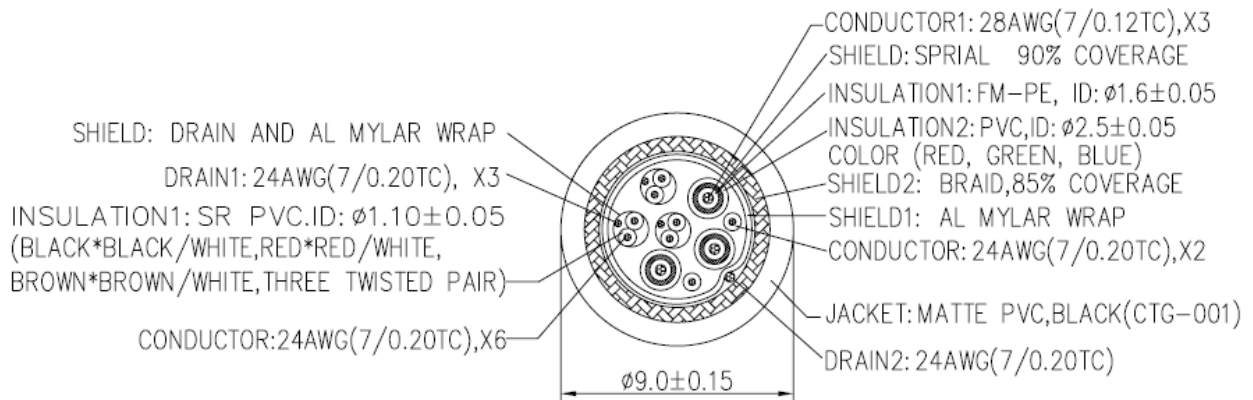
Conductor Type:	26AWG 7/34 Tinned Copper
Insulation:	Avg. Thickness:0.13 mm FEP

RapidRun Din Connector:

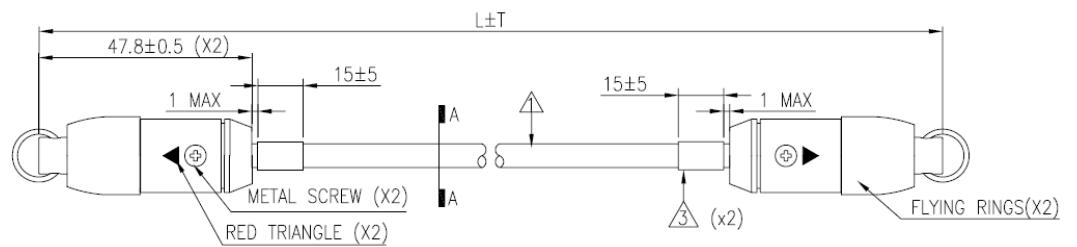
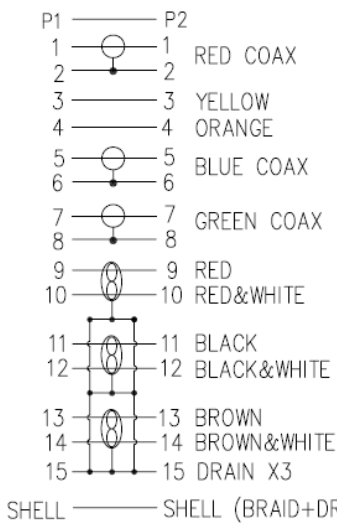
Connector Type:	DIN 15 pin
Contact Material:	Brass, 3µm Gold Plating
Insulation:	Black PBT
Dimensions:	16.0 x 39.0mm



Specifications: RapidRun® Plenum-Rated Multi-Format Runner Cable



PIN OUT



Part Number	Description	UPC/EAN	Weight (Kg)
87107	3m RapidRun Multi-Format Runner Cable—CMG-rated (10ft)	757120871071	0.455
87108	4.6m RapidRun Multi-Format Runner Cable—CMG-rated (15ft)	757120871088	0.635
87109	7.6m RapidRun Multi-Format Runner Cable—CMG-rated (25ft)	757120871095	1.000
87110	10.7m RapidRun Multi-Format Runner Cable—CMG-rated (35ft)	757120871101	1.329
87111	15.2m RapidRun Multi-Format Runner Cable—CMG-rated (50ft)	757120871118	1.837
87112	22.9m RapidRun Multi-Format Runner Cable—CMG-rated (75ft)	757120871125	2.843
87113	30.5m RapidRun Multi-Format Runner Cable—CMG-rated (100ft)	757120871132	3.810

